

Name: _____

Trace the "th" in the word thumb.

thumb

Trace the "th" in the words below.
Then draw a line to the correct object.

3



thunder

bath

three

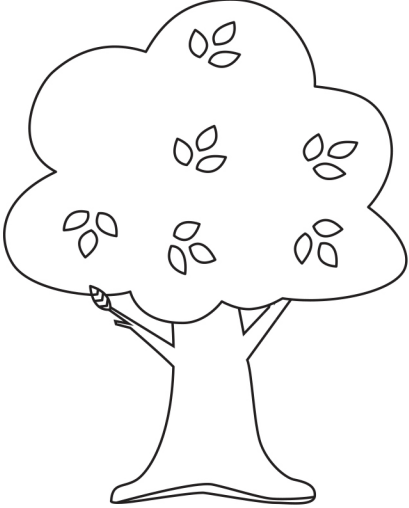
teeth

Watch and sing along to "Where Is Thumbkin" on [YouTube](#).
Visit our website for more free resources at www.mothersgooseclub.com

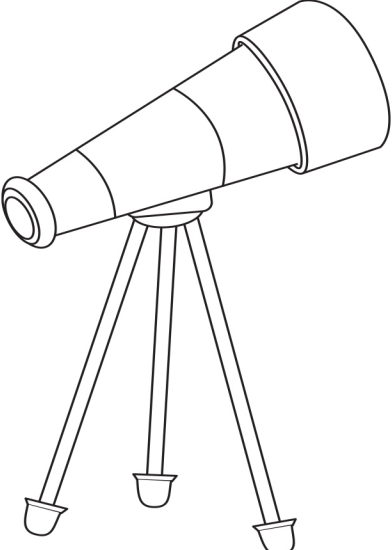
Name: _____

Look at the picture.

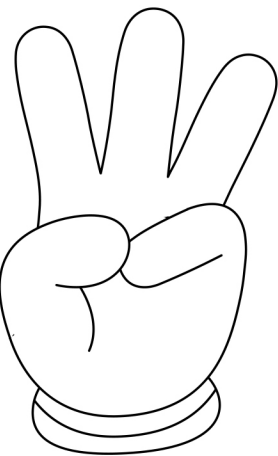
Does the word start with a "t" or "th"? Circle the right answer.



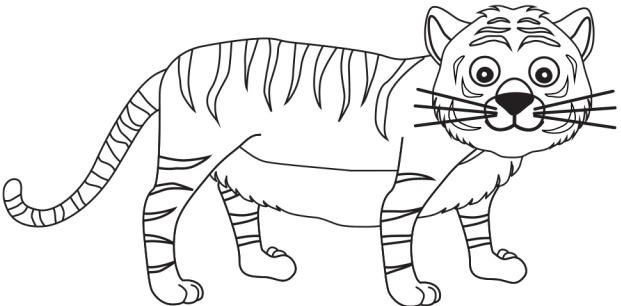
t th



t th



t th



t th