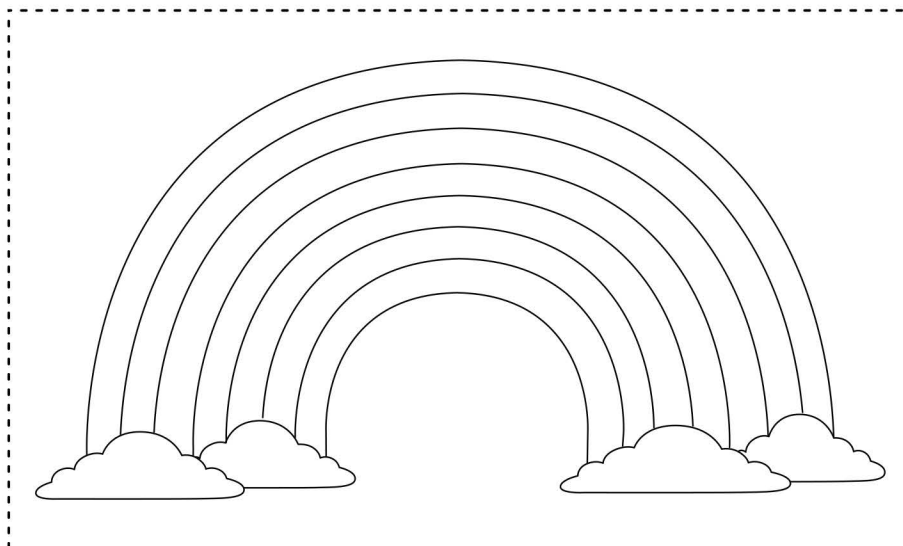
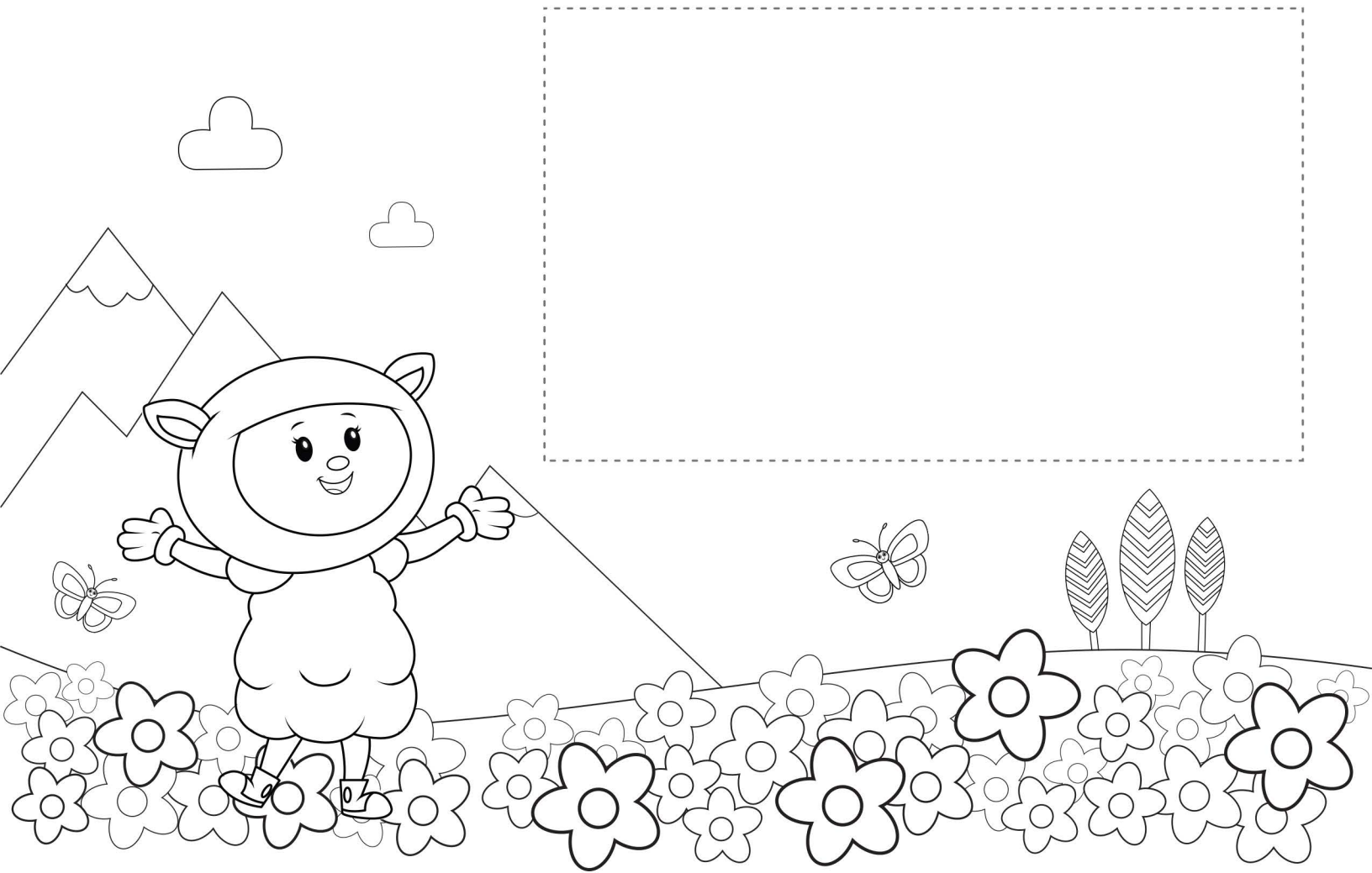


Name: _____

Cut out the rainbow and tape or glue it into the square.
Then color it in!



Watch and sing along to "Rainbow, Rainbow" on [YouTube](#).
Visit our Website for more Free Resources at www.mothersgooseclub.com